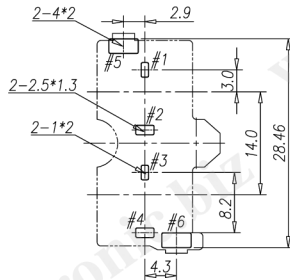
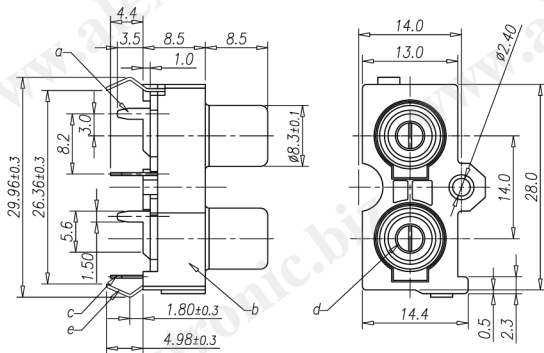


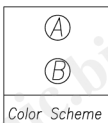
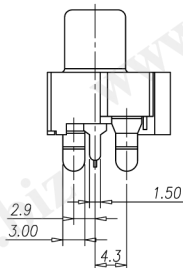
CATEGORY	DESCRIPTION	P/N #
CONNECTOR	RCA Jack, 1*2Ports, V/A, T/H, Without Shielding, Top Screw Hole*1	RJ064V-12070-XX00

RJ064V-12070-XX00

Color Scheme



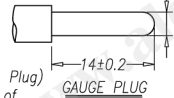
Recommend PCB Layout
(Jack Top View)
Tolerance: ±0.05mm
Recommend PCB THICKNESS: 1.6mm



REV.	ECN NO	DESCRIPTION	REVISED	DATE
R01		NEW RELEASE	Pengjie	2009.05.16

SPECIFICATION

- Voltage and Current Rating: 12V & 1A
- Contact resistance: 30mΩ MAX.
- Insulation resistance: 100MΩ MIN. @ DC500V
- Withstand voltage: 500VAC for 1min.
- Insertion Force: 3Kgf MAX.
- Extraction Force: 0.3Kgf MIN.
- Withdraw Force for Center Contact: ±0.08Kgf MIN.
(Use a OD=3.2±0.005mm, Length=14.0±0.2mm Gauge Plug)
- Terminal Strength: The terminal shall be capable of withstanding a force of 3Kgf applied in any direction for 0.5 secs without lossing and breakdown
- Life test: 1,500 cycles
- Temperature Range: -25°C~70°C
- To conform with the *QC-03-045* & *RoHS DIRECTIVE*
- Solder heat resistance: wave soldering 260°c 5 secs



Color Scheme

XX	Housing	A	B
10	Black	Red	White
11	Black	White	Red

Product Drawing
ALEXTRONIC

e	Terminal #5,6	2	Brass, T=0.4mm	CuSn Plating	
d	Washer	2	PBT UL94V-0	See Color Scheme	
c	Terminal #4,2	2	Brass, T=0.4mm	CuSn Plating	
b	Housing	1	PBT UL94V-0	See Color Scheme	
a	Terminal #1,3	2	Brass, T=0.4mm	CuSn Plating	
NO.	PART NAME	Q'TY	MATERIAL	PLATING & COLOR	Remark

UNLESS OTHERWISE SPECIFIED TOLERANCES

DECIMALS: X :±0.5 X.X :±2' X.XX :±0.3 X.XX :±1' X.XX :±0.2

ANGLES: X :±2' X.X :±1'

SCALE: 1/1	UNIT: mm	DWG. NO:
SIZE: A3	PAGE: 1 OF 1	REV: R01
WI-061-XXX		
APPROVED BY	CHECKED BY	PREPARED BY
WYX	Pengjie	Pengjie
CUSTOMER COPY		